

Telephone Initiated Alarm Sounder

Models A105NSONTELR (red) and A105NSONTELG (gray)



GAI-TRONICS®



Features

- **Continuously Rated**
- **Stainless Steel Hardware**
- **Can Be Mounted Using External Lugs or Internal BESA Compatible Fixing Positions**
- **Weather-resistant to IP66**
- **3 Tones Available**
- **RAL3000 Red Color**
RAL7038 Gray Color
- **Telephone Line Powered**



Telephone Initiated Alarm Sounder has been designed for installation in large offices or factory areas with high ambient noise levels, replacing the traditional mains voltage bell. The unit has 3 x M20 cable entries and an ingress protection of IP66.

The Alarm Sounder can be used in any application requiring a line-powered sounder solution.

The Alarm Sounder features a corrosion proof enclosure made from ABS high impact plastic with stainless steel hardware. It can be mounted using external lugs or internal BESA compatible fixing positions.

The line powered Alarm Sounder has a choice of three alarm tone frequencies (see Technical Specification for more information).

Telephone Initiated Alarm Sounder

Models A105NSONTELR (red) and A105NSONTELG (gray)



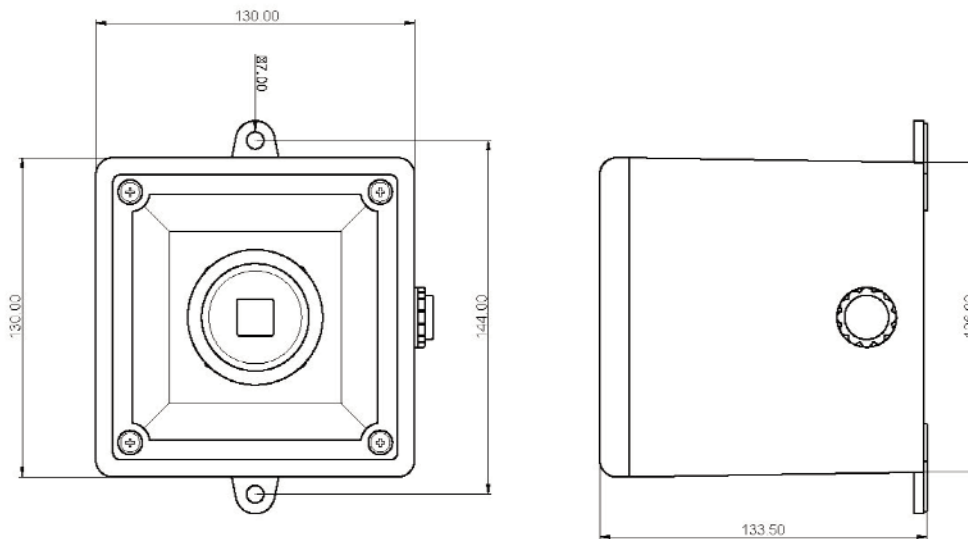
Specifications

| | |
|-----------------------------|--|
| Housing Material | High Impact UL94 VO & 5VA FR ABS |
| Operating Temperature | -13° F to +131° F (-25° C to +55° C) |
| Storage Temperature | -40° F to +158° F (-40° C to +70° C) |
| Ingress Protection | IP66 |
| Weight | 1.653lbs (0.75kg) |
| Relative Humidity | 90% @ +68°F (+20°C) |
| Nominal Output | 105dB(A) @1m +/- 3dB |
| Volume Control | Max 105dB(A); Min. 96dB(A) |
| Terminals | 0.5 to 2.5mm ² cables |
| Cable Entries | 3 x M20 clearance gland knockouts in side & back |
| Effective Range | 196.85-Ft (60m) @ 1KHz |
| Supply | Direct power from telephone line (REN 1) |
| 3 Tones | Tone 1 - Siren Tone Tone 2 - Alternating Tone Tone 3 - Sweeping Tone |

Approvals

| | |
|--------------------------|---------------------|
| GOST-R Certificate | POCC GB.ГБ05.В02228 |
|--------------------------|---------------------|

Dimensions - Drawing



Ordering Information

| Model No. | Description |
|--------------|-------------------------------|
| A105NSONTELR | Alarm Sounder, Red (RAL3000) |
| A105NSONTELG | Alarm Sounder, Gray (RAL7038) |



USA Toll Free: 1 (800) 492-1212 Tel: (610) 777-1374 Fax: (610) 796-5954 www.gai-tronics.com
 UK Tel: +44 (0)1283 500500 Fax: +44 (0)1283 500400 www.gai-tronics.co.uk
 Italy Tel: +39 02 48601460 Fax: +39 02 93663110 www.gai-tronics.com
 Asia Tel: +(65) 6282 2242 (Press 4 for GAI-TRONICS) www.gai-tronics.com
 Australia Tel: 011-61-28-851-5000 Fax: 011-61-29-899-2490 www.austdac.com.au



Quality Management System Certified by DNV-GL - ISO 9001:2015. The policy of GAI-TRONICS is one of continuous improvement; therefore the company reserves the right to change specifications without notice.

